

**Quick Detection of Flame from Distance,
Compact UV Sensor with High Sensitivity and Wide Directivity,
Suitable for Flame Detectors and Fire Alarms.**

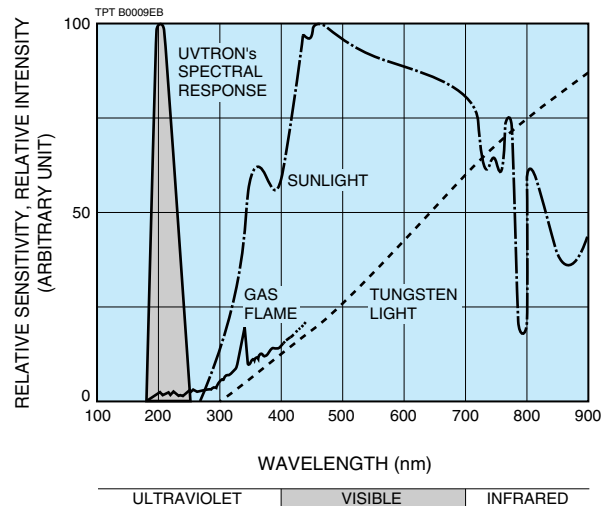
Hamamatsu R2868 is a UVTRON ultraviolet ON/OFF detector that makes use of the photoelectric effect of metal and the gas multiplication effect. It has a narrow spectral sensitivity of 185 nm to 260 nm, being completely insensitive to visible light. Unlike semiconductor detectors, it does not require optical visible-cut filters, thus making it easy to use.

In spite of its small size, the R2868 has wide angular sensitivity (directivity) and can reliably and quickly detect weak ultraviolet radiations emitted from flame due to use of the metal plate cathode (eg. it can detect the flame of a cigarette lighter at a distance of more than 5 m.).

The R2868 is well suited for use in flame detectors and fire alarms, and also in detection of invisible discharge phenomena such as corona discharge of high-voltage transmission lines.



Figure: UVTRON's Spectral Response and Various Light Sources



APPLICATIONS

- Flame detectors for gas / oil lighters and matches
- Fire alarms
- Combustion monitors for burners
- Inspection of ultraviolet leakage
- Detection of discharge
- Ultraviolet switching

SPECIFICATIONS

GENERAL

Parameter	Description / Value	Unit
Spectral Response	185 to 260	nm
Window Material	UV glass	—
Weight	Approx. 1.5	g

MAXIMUM RATINGS

Parameter	Value	Unit
Supply Voltage	400	V
Peak Current ^①	30	mA
Average Discharge Current ^②	1	mA
Operating Temperature	-20 to +60	°C

CHARACTERISTICS (at 25 °C)

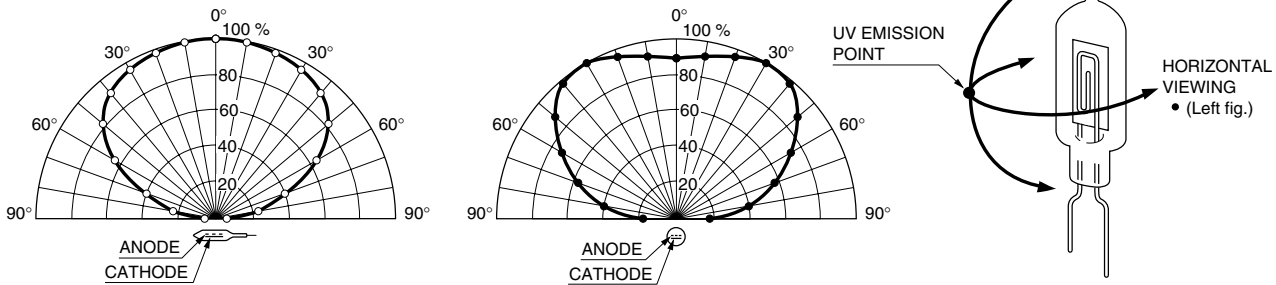
Parameter	Value	Unit
Discharge Starting Voltage (with UV radiation) (DC)	Max. 280	V
Recommended Operating Voltage (DC)	325 ± 25	V
Background ^③	Max. 10	min ⁻¹
Sensitivity ^④	Typ. 5000	min ⁻¹

- NOTE:**
- ① This is the maximum momentary current that can be handled if its full width at half maximum is less than 10 μs.
 - ② If the tube is operated near this or higher, the service life is noticeably reduced.
 - ③ Measured under room illuminations (approx. 500 lux) and recommended operating conditions. Note that these values may increase if the following environmental factors are present.
 - (1) Mercury lamps, sterilization lamps, or halogen lamps are located nearby.
 - (2) Direct or reflected sunlight is incident on the tube.
 - (3) Electrical sparks such as welding sparks are present.
 - (4) Radiation sources are present.
 - (5) High electric field (including static field) generates across the tube.
 - ④ These are representative values for a wavelength of 200 nm and a light input of 10 pW/cm². In actual use, the sensitivity will vary with the wavelength of the ultraviolet radiation and the drive circuitry employed.

Subject to local technical requirements and regulations, availability of products included in this promotional material may vary. Please consult with our sales office. Information furnished by HAMAMATSU is believed to be reliable. However, no responsibility is assumed for possible inaccuracies or omissions. Specifications are subject to change without notice. No patent rights are granted to any of the circuits described herein. ©2014 Hamamatsu Photonics K.K.

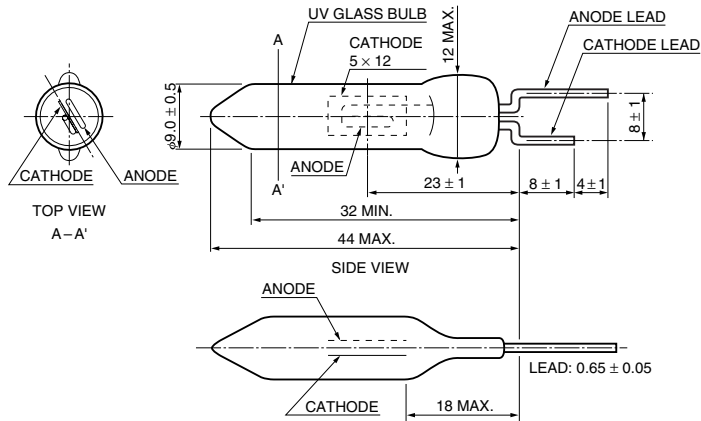
FLAME SENSOR UVTRON[®] R2868

Figure 2: Angular Sensitivity (Directivity)



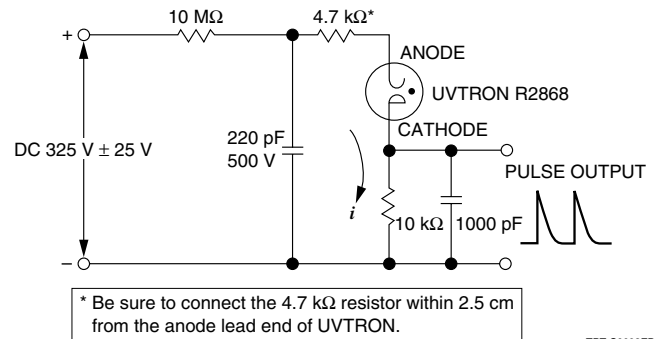
TPT B0010EA

Figure 3: Dimensional Outline (Unit: mm)



TPT A0023EB

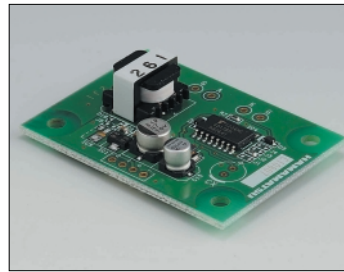
Figure 4: Recommended Operating Circuit



* Be sure to connect the 4.7 kΩ resistor within 2.5 cm from the anode lead end of UVTRON.

TPT C0003EB

●UVTRON Driving circuit C10807 series (sold separately)



Hamamatsu also provide the driving circuit C10807 series for R2868 operation. Since the high-voltage supply and signal processor are mounted on the same circuit board, the C10807 can be operated as a high-sensitivity flame sensor just by connecting a UVTRON and supplying a low DC voltage (5 V to 24 V). For the details, please refer to the data sheet of C10807 series.

■PRECAUTIONS FOR USE

●Ultraviolet Radiation

The UVTRON itself emits ultraviolet radiation in operation. When using two or more UVTRONs at the same time in close position, care should be taken so that they do not optically interfere with each other.

●Vibration and shock

UVTRONs have passed vibration and shock tests in compliance with IEC 60068-2-6 (sinusoidal vibration test 1.5 mm peak to peak, 100 m/s², 10 Hz to 500 Hz) and IEC 60068-2-27 (shock test 1000 m/s², 11 ms). However if subjected to strong mechanical shocks such as drop impacts, the glass envelope may crack or internal electrodes may deform resulting in poor electrical characteristics. So use extreme caution when handling the UVTRON. If the leads are machined or cut with a wire cutter, the internal electrodes may be subjected to vibrations or shocks greater than the above tests, resulting in poor electrical characteristics as in the case where they are subjected to drop impacts.

●Polarity

Connect the UVTRON with correct polarity. Should it be connected with reverse polarity, operating errors may occur.

■WARRANTY

The UVTRON is covered by a warranty for a period of one year after delivery. The warranty is limited to replacement of any defective tube due to defects traceable to the manufacturer.

HAMAMATSU PHOTONICS K.K. www.hamamatsu.com

HAMAMATSU PHOTONICS K.K., Electron Tube Division

314-5, Shimokanzo, Iwata City, Shizuoka Pref., 438-0193, Japan, Telephone: (81)539/62-5248, Fax: (81)539/62-2205

U.S.A.: Hamamatsu Corporation: 360 Foothill Road, Bridgewater, N.J. 08807-0910, U.S.A., Telephone: (1)908-231-0960, Fax: (1)908-231-1218 E-mail: usa@hamamatsu.com

Germany: Hamamatsu Photonics Deutschland GmbH: Arzbergerstr. 10, D-82211 Herrsching am Ammersee, Germany, Telephone: (49)8152-375-0, Fax: (49)8152-2658 E-mail: info@hamamatsu.de

France: Hamamatsu Photonics France S.A.R.L.: 19, Rue du Saule Trapu, Parc du Moulin de Massy, 91882 Massy Cedex, France, Telephone: (33)1 69 53 71 00, Fax: (33)1 69 53 71 10 E-mail: infos@hamamatsu.fr

United Kingdom: Hamamatsu Photonics UK Limited: 2 Howard Court, 10 Tewin Road, Welwyn Garden City, Hertfordshire AL7 1BW, United Kingdom, Telephone: (44)1707-294888, Fax: (44)1707-325777 E-mail: info@hamamatsu.co.uk

North Europe: Hamamatsu Photonics Norden AB: Torshamnsgatan 35 SE-164 40 Kista, Sweden, Telephone: (46)8-509-031-00, Fax: (46)8-509-031-01 E-mail: info@hamamatsu.se

Italy: Hamamatsu Photonics Italia S.r.l.: Strada della Moia, 1 int. 6, 20020 Arese (Milano), Italy, Telephone: (39)02-93581733, Fax: (39)02-93581741 E-mail: info@hamamatsu.it

China: Hamamatsu Photonics (China) Co., Ltd.: B1201 Jiaming Center, No.27 Dongsanhuan Beilu, Chaoyang District, Beijing 100020, China, Telephone: (86)10-6586-6006, Fax: (86)10-6586-2866 E-mail: hpc@hamamatsu.com.cn

TPT 1008E03
JUL. 2014 JP